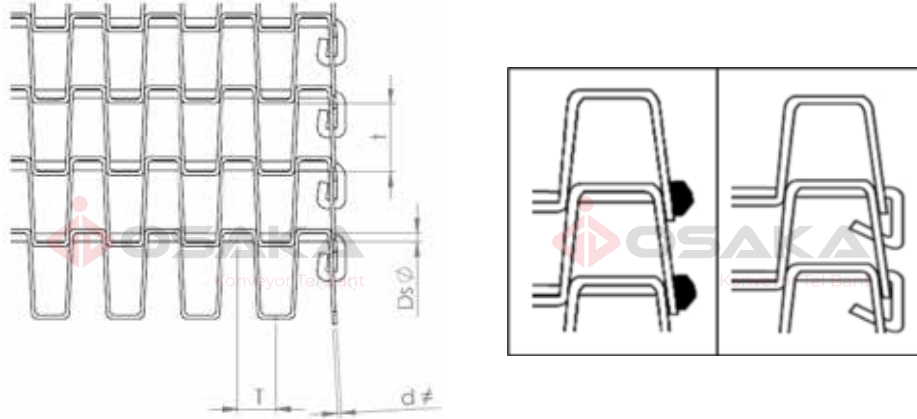


OSK 700



This belt is very special type because able to drive at any points of belt equally. This belt featured with light weight, smooth surface, high efficiency and durability of heavy load. It has special raw material which round wire extraordinary rolled and become flat wire with nature radius with edges. In this case it would not any damage while product carrying. There are two types of edge finishing bended or welded.

Materiel	AISI 304 SS / AISI 316 SS / C45 Carbon Steel
----------	--

t: Pitch	mm
d: Flat wire diameter	mm
Ds: Connection rod diameter	mm
T: Slice center	mm
W: Total width	mm
L: Lenght	mm
Wire material	

Easy to get queto from us now! Please select your dimensions and send us.

Add more information.